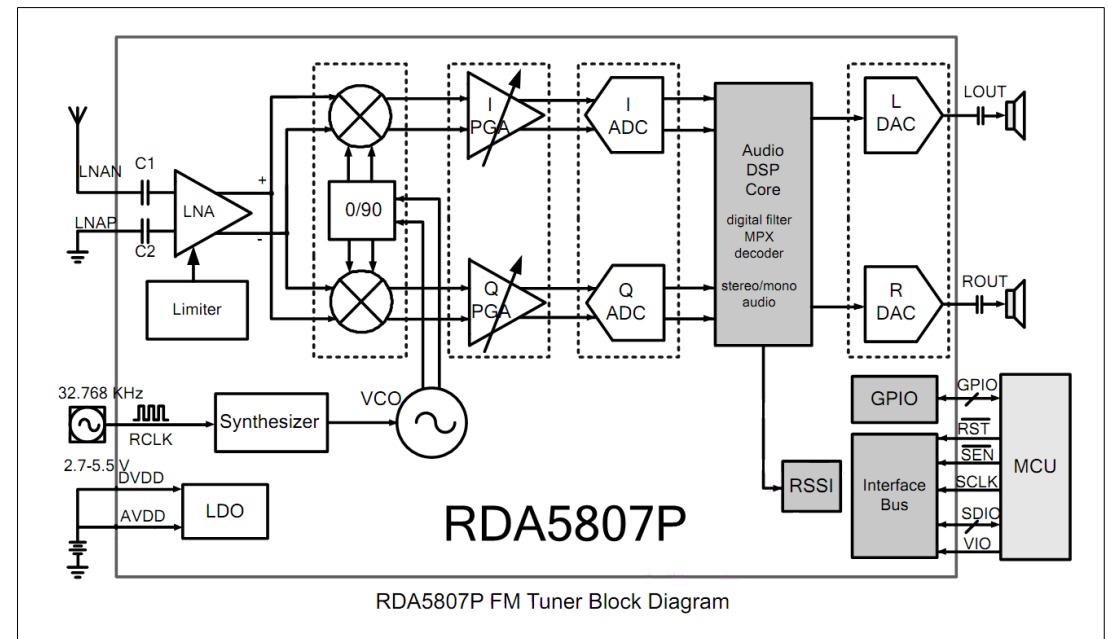




RDA5807 SINGLE-CHIP FM RECEIVER MODULE

- 76-108 Mhz Stereo FM receiver
- Digital low-IF tuner
- Digital auto gain control (AGC)
- Fully integrated digital frequency synthesizer
- Onboard 32.768KHz crystal oscillator
- Programmable de-emphasis (50/75 μ s)
- Receive signal strength indicator (RSSI)
- Supply voltage 2.7V to 5.5V
- Low power consumption 17.5mA at 3.3V
- I2C control interface
- **Interface supply voltage 1.5 to 3.6V**
- Integrated volume control
- 2 programmable outputs (GPIO, interrupt or stereo indicator)



RDA5807P Datasheet

http://www.i-biznes.com/datasheets/RDA/RDA5807P_1.0.pdf

RDA5807P Programming manual

http://www.i-biznes.com/datasheets/RDA/RAD5807P_ProgManual_1.0.pdf

Buy an RDA5807 module

<http://www.i-biznes.com/catalog/fr-kits.php>

